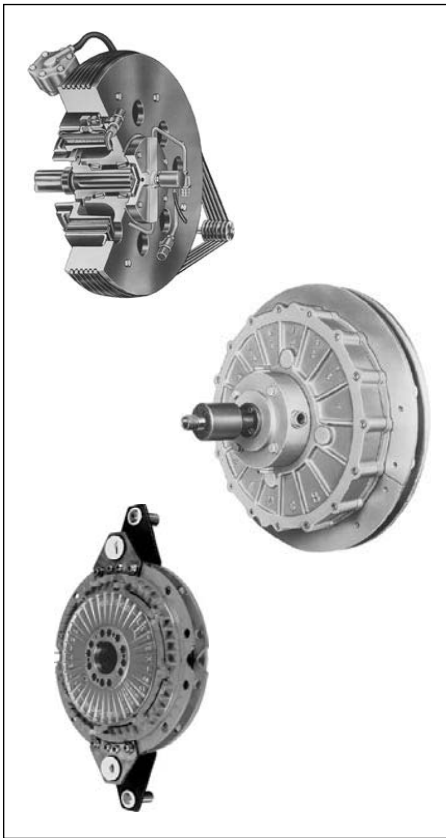


Eaton Corporation
 Airflex Division
 9919 Clinton Road
 Cleveland, Ohio 44144-1077

Phone (216) 281-2211
 Fax: (216) 281-3890



Clutch/Brake Packages

F

FSPA Packages

Description	F-1
Dimensional and Technical Data	F-3
21 DCB Clutch/Brake	F-11
Dimensional and Technical Data	F-12
Desch Lutex* Clutch/Brake Combination	
Description	F-13
Dimensional Data	F-15
Selection Procedure	F-20
Technical Data	F-25

* Trademark of Desch Antriebstechnik GmbH & Co. of Arnsberg, Germany. The Airflex Division of Eaton Corporation is the exclusive U.S. distributor of the Desch Lutex product line.

Authorized Distributor

**MIDWEST
BRAKE**

26255 Groesbeck Hwy.
 Warren, MI 48089 U.S.A.
 586.775.3000 • 586.775.3040 (Fax)
 sales@midwestbrake.com
 www.midwestbrake.com

Eaton® Airflex® Clutches & Brakes

Description

The FSPA flywheel clutch/brake package is designed primarily for stamping press applications. However, it can be easily adapted to other types of flywheel machines requiring cyclic operation. The major components of the package are:

1. An Airflex CB or VC clutch element.
2. An Airflex CS, CSA or CTE spring-applied air-released brake.
3. A flywheel or bullgear with anti-friction bearings.
4. Clutch and brake drums.
5. Airflex quick release valves.
6. An Airflex rotorseal or optional timing rotorseal.

The combination or separate clutch and brake drums are keyed to the driven shaft. The bearing mounted flywheel or bullgear rides on the outside diameter of the clutch drum hub. The clutch element is attached to the flywheel or bullgear. The brake is attached to and reacted by the machine frame.

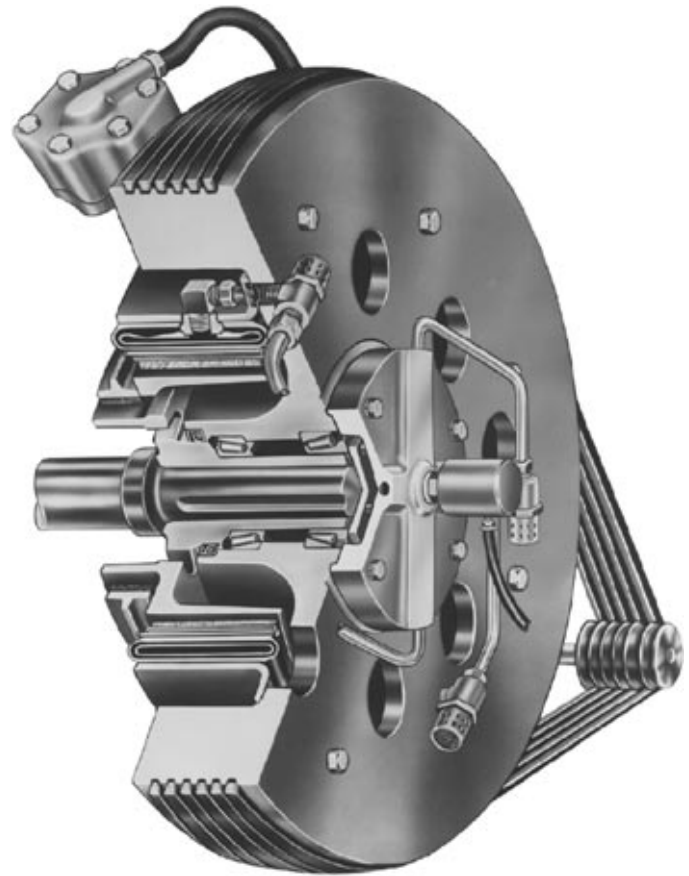
Operating air is introduced through a standard or timing rotorseal. Air to engage the clutch simultaneously releases the brake, allowing the driven shaft to rotate. When air pressure is released, air from the clutch exhausts through the quick release valves. The spring-applied brake engages, stopping the driven shaft.

The most frequently used mounting arrangement includes a combination clutch and brake drum as illustrated in the components parts figure. An alternate arrangement provides separate drums for the clutch and brake allowing the brake to be mounted at any convenient point along the driven shaft.

The flywheel can be grooved for drive belts and furnished with barring holes to facilitate die set-up for stamping presses. An optional bumping pin can be provided to mechanically connect the flywheel and clutch drum for manually freeing a stuck press die. Gear teeth can be provided in the flywheel blank for crankshaft mounting the package on geared presses.

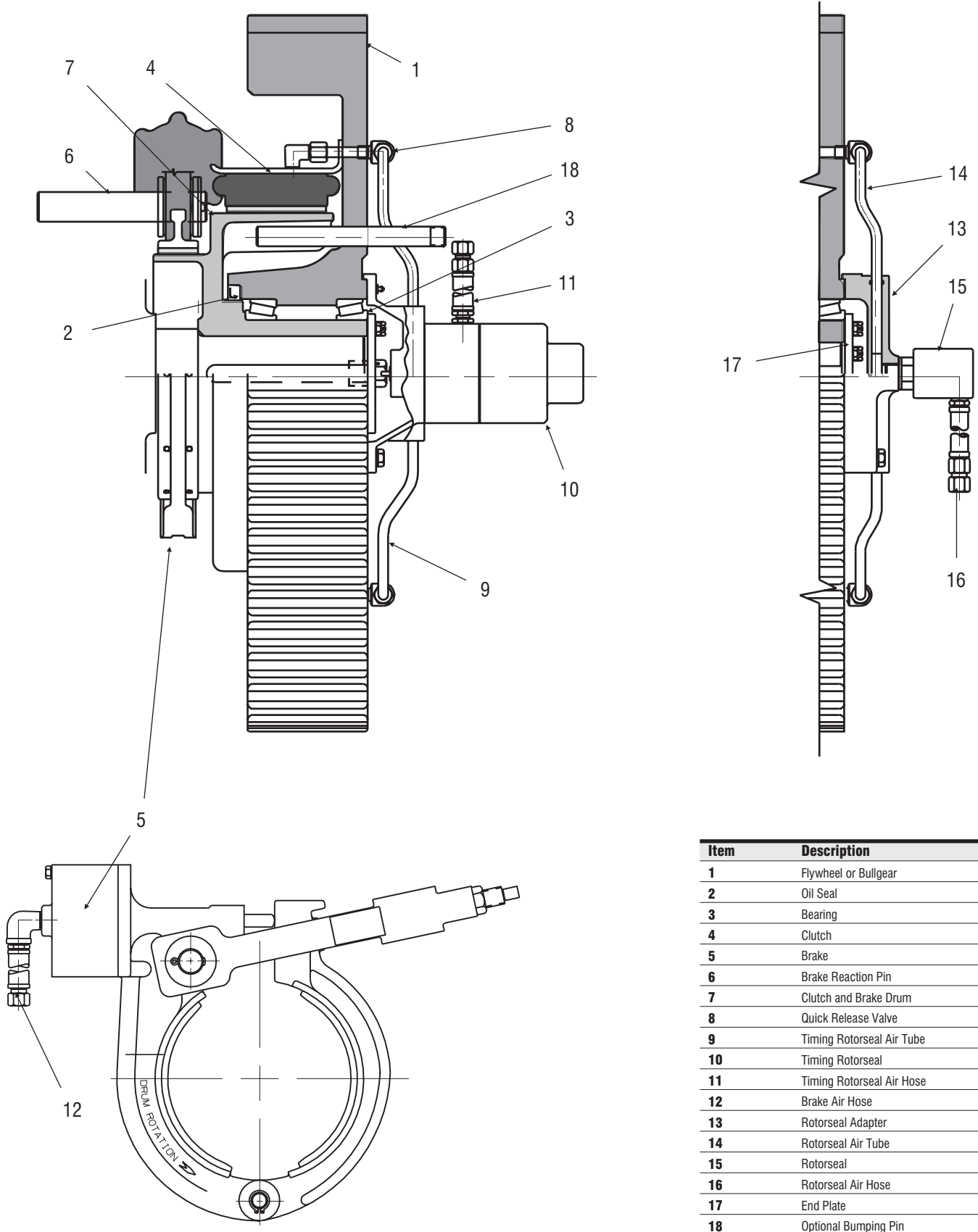
An Airflex rotorseal is furnished with the standard package. If the package is to be used on the crankshaft of a power press, an optional timing rotorseal can be substituted in place of the standard rotorseal. This device, in addition to providing an air passage to the clutch, incorporates a four cam rotary switch to control the operating functions of the press.

FSPA units are available in a large variety of sizes and mounting arrangements with clutch torques to 320000 lb-in (36200 N-m).



Where Used:

- **Can making machines**
- **Press brakes**
- **Shears**
- **Stamping and forming presses**



Item	Description
1	Flywheel or Bullgear
2	Oil Seal
3	Bearing
4	Clutch
5	Brake
6	Brake Reaction Pin
7	Clutch and Brake Drum
8	Quick Release Valve
9	Timing Rotorseal Air Tube
10	Timing Rotorseal
11	Timing Rotorseal Air Hose
12	Brake Air Hose
13	Rotorseal Adapter
14	Rotorseal Air Tube
15	Rotorseal
16	Rotorseal Air Hose
17	End Plate
18	Optional Bumping Pin

English	lbft ²	lb	rpm	lb	in		
L1	9	34	1700	85	2.7	N/A	104776
00	18	46	1430	150	3.7	N/A	104777
0	41	68	1150	190	3.8	N/A	104778
01	41	68	1150	210	3.8	104779	104779
1	106	138	950	350	4.3	104780	104780
2	239	235	850	460	4.3	104781	104781
103	239	235	820	500	4.6	104782	104782
104	424	309	740	620	4.6	104783	104783
105	942	522	640	890	4.6	104784	104784
6	424	309	715	690	5.9	104785	104785
7	942	522	640	950	5.9	104786	104786
8	1604	705	570	1250	5.9	104787	104787
109	942	522	570	1070	5.6	104788	104788
110	1604	705	570	1370	5.6	104789	104789
111	2415	825	510	1450	5.6	104790	104790
112	1604	705	480	1440	5.8	104791	104791
113	2415	825	480	1660	5.8	104792	104792
114	4238	1170	460	2190	5.8	104793	104793
115	2415	825	410	1770	5.6	104794	104794
116	4238	1170	410	2300	5.6	104795	104795
117	6630	1456	410	2750	5.6	104796	104796
118	4238	1170	360	2490	5.8	106992	106995
119	6630	1456	360	2940	5.9	106993	106996
120	11331	2028	360	3690	6.5	106994	106997
121	6630	1456	320	3080	5.4	106998	107000
122	11331	2028	320	3790	6.2	106999	107001
FSPA Size	Wk ²	Weight	① Maximum Speed	Weight	D ₃₇	Part Number w/Timing Rotorseal ②	Part Number w/Rotorseal ②
	Flywheel Rim			Mass			
	J	Mass					
L1	0,38	15	1700	39	69	N/A	104776
00	0,76	21	1430	68	94	N/A	104777
0	1,72	31	1150	86	97	N/A	104778
01	1,72	31	1150	95	97	104779	104779
1	4,45	63	950	159	109	104780	104780
2	10,04	106	850	208	109	104781	104781
103	10,04	106	820	227	117	104782	104782
104	17,81	140	740	281	117	104783	104783
105	39,56	236	640	403	117	104784	104784
6	17,81	140	715	313	150	104785	104785
7	39,56	236	640	430	150	104786	104786
8	67,37	319	570	566	150	104787	104787
109	39,56	236	570	485	142	104788	104788
110	67,37	319	570	621	142	104789	104789
111	101,4	374	510	657	142	104790	104790
112	67,37	319	480	652	147	104791	104791
113	101,4	374	480	752	147	104792	104792
114	178,0	530	460	992	147	104793	104793
115	101,4	374	410	802	142	104794	104794
116	178,0	530	410	1042	142	104795	104795
117	278,5	660	410	1246	142	104796	104796
118	178,0	530	360	1128	147	106992	106995
119	278,5	660	360	1332	150	106993	106996
120	475,9	919	360	1672	165	106994	106997
121	278,5	660	320	1395	137	106998	107000
122	475,9	919	320	1717	157	106999	107001
SI	kg·m ²	kg	rpm	kg	mm		

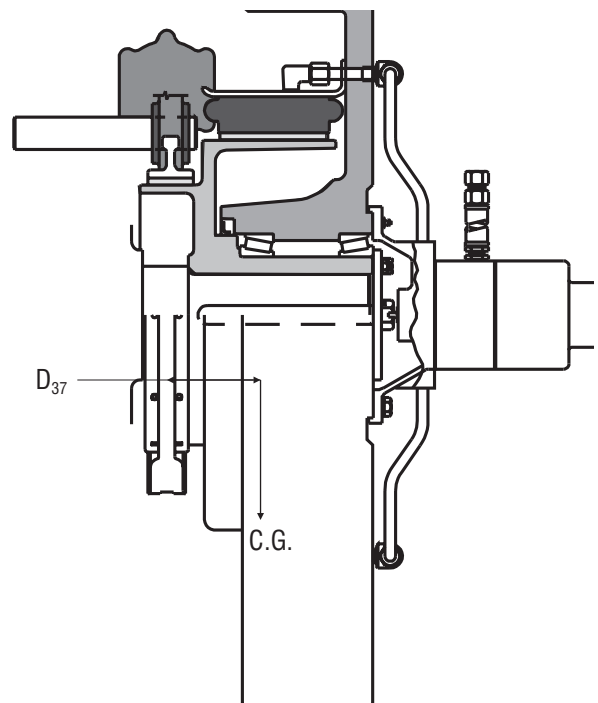
English	lb in @ 75 psi	lb in	lb ft ²	in ²		in ³	Model	
L1	2040	3000	0.4	36	9	30	6CB200	4CS150
00 & 0	4290	6000	1.4	61	20	55	8CB250	6CSA200
01	8150	6000	3	91	20	75	10CB300	6CSA200
1 & 2	13300	13000	8	128	33	105	12CB350	9CSA200
103, 104, 105	19700	13000	13	170	33	95	14CB400	9CSA200
6, 7, 8	35200	18000	28	241	45	165	16CB500	12CSA200
109, 110, 111	53600	22000	61	288	89	210	20CB500	15CS300
112, 113, 114	75000	27000	115	338	108	245	24CB500	18CS300
115, 116, 117	106000	27000	178	430	108	325	28CB525	18CS300
118, 119, 120	137000	111200	365	483	328	410	32CB525	24CTE500
121, 122	172000	111200	451	550	328	450	36CB525	24CTE500

Size	Clutch Torque	Forward Brake Torque	Wk ²			Air Volume	Clutch Size	Brake Size
			Friction Area					
			Drum	Clutch	Brake			
L1	231	339	0,02	232	58	0,5	6CB200	4CS150
00 & 0	485	678	0,06	393	129	0,9	8CB250	6CSA200
01	921	678	0,13	587	129	1,2	10CB300	6CSA200
1 & 2	1500	1470	0,34	826	213	1,7	12CB350	9CSA200
103, 104, 105	2230	1470	0,55	1097	213	1,6	14CB400	9CSA200
6, 7, 8	3980	2030	1,18	1554	290	2,7	16CB500	12CSA200
109, 110, 111	6060	2490	2,56	1858	574	3,4	20CB500	15CS300
112, 113, 114	8480	3050	4,83	2180	697	4,0	24CB500	18CS300
115, 116, 117	12000	3050	7,48	2774	697	5,3	28CB525	18CS300
118, 119, 120	15500	12600	15,33	3115	2116	6,7	32CB525	24CTE500
121, 122	19400	12600	18,94	3548	2116	7,4	36CB525	24CTE500

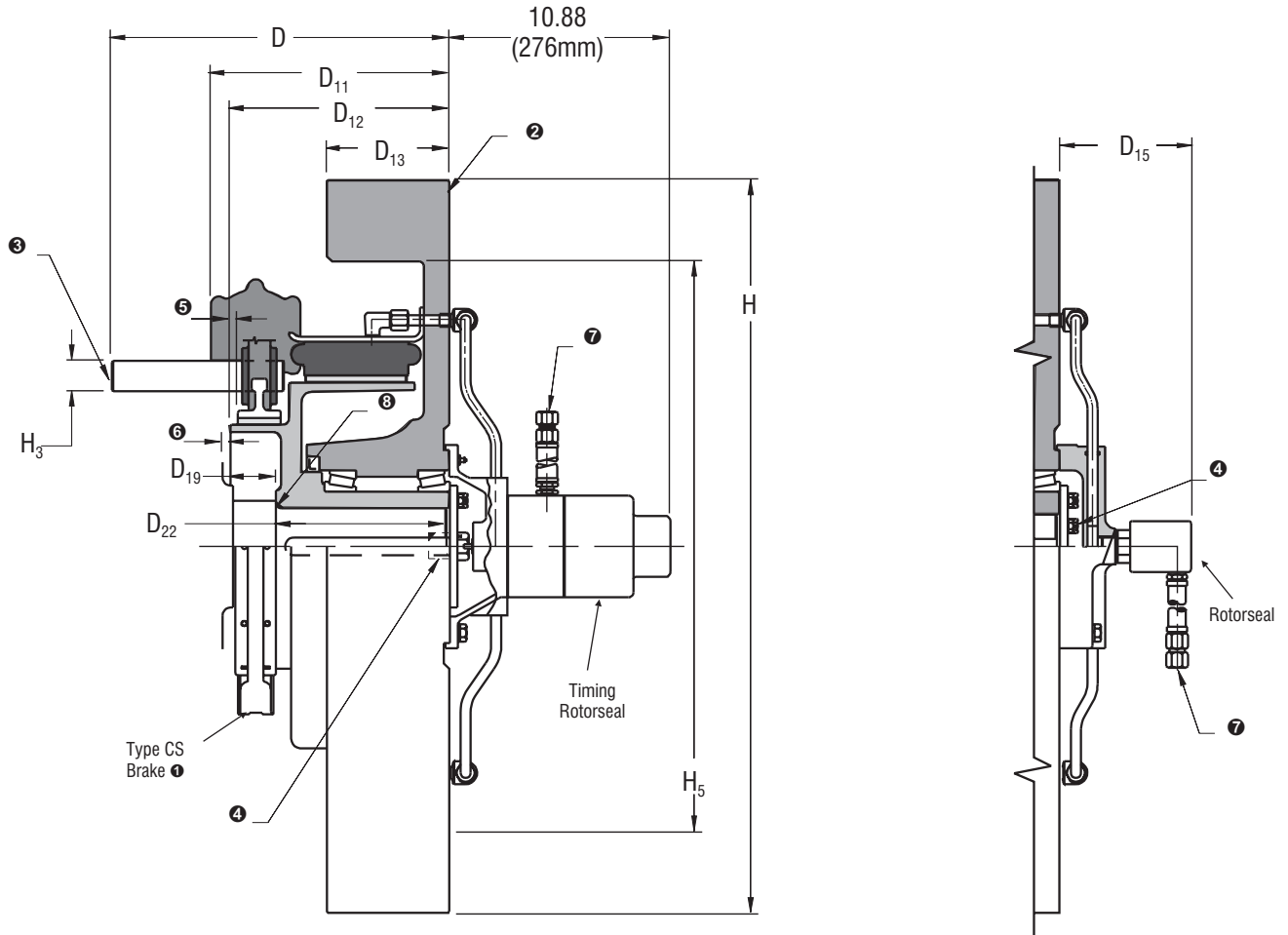
SI	Nm @ 5,2 bar	Nm	kg m ²	cm ²		dm ³	Model	
----	-----------------	----	-------------------	-----------------	--	-----------------	-------	--

Notes:

- ① Maximum speed for non-cyclic operation. Maximum speed for single stroke operation is dependent upon clutch and brake thermal requirements.
- ② Basic part number only. Complete part number is dependent upon bore, direction of rotation and optional features.
- ③ Clutch torque dependent upon operating pressure and speed. See Section B for torque adjustment.
- ④ Absolute volume required per engagement.



English	Dimensions in inches												
L1	1.250	1.13	1.50	11.44	6.91	6.13	3.00	6.38	2.31	3.56	13.50	0.749	11.38
00	2.000	1.44	2.00	12.06	8.25	7.38	3.00	5.28	2.25	5.00	16.00	0.999	13.50
0	2.000	1.44	2.00	12.06	8.25	7.38	3.00	5.28	2.25	5.00	20.00	0.999	17.00
01	2.000	1.44	2.00	12.69	8.88	8.00	3.00	5.28	2.88	5.00	20.00	0.999	17.00
1	2.000	1.75	3.00	14.53	9.75	8.88	4.00	5.41	2.63	6.13	23.00	1.249	19.00
2	2.000	1.75	3.00	14.53	9.75	8.88	4.00	5.41	2.63	6.13	27.00	1.249	21.00
103	2.375	1.75	3.00	15.47	10.69	9.81	4.00	5.41	3.06	6.63	27.00	1.249	21.00
104	2.375	1.75	3.00	15.47	10.69	9.81	4.50	5.41	3.06	6.63	31.00	1.249	25.00
105	2.375	1.75	3.00	15.47	10.69	9.81	5.00	5.41	3.06	6.63	36.00	1.249	28.00
6	3.000	2.63	3.75	16.63	11.75	10.75	4.50	6.47	2.25	8.38	31.00	1.499	25.00
7	3.000	2.63	3.75	16.63	11.75	10.75	5.00	6.47	2.25	8.38	36.00	1.499	28.00
8	3.000	2.63	3.75	16.63	11.75	10.75	6.00	6.47	2.25	8.38	40.00	1.499	32.00
109	3.250	3.00	3.50	16.63	13.25	12.13	5.00	6.47	3.50	8.50	36.00	1.499	28.00
110	3.250	3.00	3.50	16.63	13.25	12.13	6.00	6.47	3.50	8.50	40.00	1.499	32.00
111	3.250	3.00	3.50	16.63	13.25	12.13	6.00	6.47	3.50	8.50	45.00	1.499	36.75
112	3.625	3.00	4.00	16.88	13.50	12.38	6.00	6.59	3.50	8.75	40.00	1.499	32.00
113	3.625	3.00	4.00	16.88	13.50	12.38	6.00	6.59	3.50	8.75	45.00	1.499	36.75
114	3.625	3.00	4.00	16.88	13.50	12.38	7.00	6.59	3.50	8.75	50.00	1.499	41.00
115	4.125	3.00	4.25	17.53	14.25	13.13	6.00	6.59	4.25	8.75	45.00	1.499	36.75
116	4.125	3.00	4.25	17.53	14.25	13.13	7.00	6.59	4.25	8.75	50.00	1.499	41.00
117	4.125	3.00	4.25	17.53	14.25	13.13	7.00	6.59	4.25	8.75	56.00	1.499	46.00
118	4.500	3.25	4.75	24.06	17.31	16.69	7.00	7.78	7.38	10.38	50.00	1.998	41.00
119	4.500	3.25	4.75	24.06	17.31	16.69	7.00	7.78	7.38	10.38	56.00	1.998	46.00
120	4.500	3.25	4.75	25.25	18.50	17.88	8.00	7.78	7.38	10.38	62.00	1.998	51.00
121	4.750	3.25	4.75	24.06	17.31	16.69	7.00	7.78	7.38	10.38	56.00	1.998	46.00
122	4.750	3.25	4.75	25.25	18.50	17.88	8.00	7.78	7.38	10.38	62.00	1.998	51.00
FSPA Size	Standard	Min.	Max.	D	D ₁₁	D ₁₂	D ₁₃	D ₁₅	D ₁₉	D ₂₂	H	⊕ H ₃	H ₅
	Bore Range												
	Standard	Min.	Max.										
L1	31,8	29	38	291	175	156	76	162	59	90	343	19,0	289
00	50,8	37	51	306	210	187	76	134	57	127	406	25,4	343
0	50,8	37	51	306	210	187	76	134	57	127	508	25,4	432
01	50,8	37	51	322	225	203	76	134	73	127	508	25,4	432
1	50,8	44	76	369	248	225	102	137	67	156	584	31,7	483
2	50,8	44	76	369	248	225	102	137	67	156	686	31,7	533
103	60,3	44	76	393	271	249	102	137	78	168	686	31,7	533
104	60,3	44	76	393	271	249	114	137	78	168	787	31,7	635
105	60,3	44	76	393	271	249	127	137	78	168	914	31,7	711
6	76,2	67	95	422	298	273	114	164	57	213	787	38,1	635
7	76,2	67	95	422	298	273	127	164	57	213	914	38,1	711
8	76,2	67	95	422	298	273	152	164	57	213	1016	38,1	813
109	82,6	76	89	422	337	308	127	164	89	216	914	38,1	711
110	82,6	76	89	422	337	308	152	164	89	216	1016	38,1	813
111	82,6	76	89	422	337	308	152	164	89	216	1143	38,1	933
112	92,1	76	102	429	343	314	152	167	89	222	1016	38,1	813
113	92,1	76	102	429	343	314	152	167	89	222	1143	38,1	933
114	92,1	76	102	429	343	314	178	167	89	222	1270	38,1	1041
115	104,8	76	108	445	362	333	152	167	108	222	1143	38,1	933
116	104,8	76	108	445	362	333	178	167	108	222	1270	38,1	1041
117	104,8	76	108	445	362	333	178	167	108	222	1422	38,1	1168
118	114,3	83	121	611	440	424	178	198	187	264	1270	50,7	1041
119	114,3	83	121	611	440	424	178	198	187	264	1422	50,7	1168
120	114,3	83	121	641	470	454	203	198	187	264	1575	50,7	1295
121	120,7	83	121	611	440	424	178	198	187	264	1422	50,7	1168
122	120,7	83	121	641	470	454	203	198	187	264	1575	50,7	1295
SI	Dimensions in millimeters												



Notes:

- ① Refer to Section G for brake dimensional data.
- ② Optional belt grooving or gear teeth can be machined in the flywheel rim at additional cost.
- ③ Customer to locate and mount reaction pin.
- ④ Customer to provide tapped holes in shaft end for timing rotorseal drive screw and/or end plate cap screws.
- ⑤ 0.25 in (6 mm) for size L1.
0.38 in (10 mm) for all other sizes.
- ⑥ 0.38 in (10 mm) minimum, all sizes.
- ⑦ Timing rotorseal not furnished for sizes L1, 00 & 0.
1/4-18 for size L1 and 1/2-14 American National Pipe Thread for all other sizes.
- ⑧ Shaft radius 0.06 in (1,5 mm) for size L1; 0.25 in (6 mm) for all other sizes.
- ⑨ Tolerance +0.001/-0.000 in
(+0,03/-0,00 mm).

Form PP 305

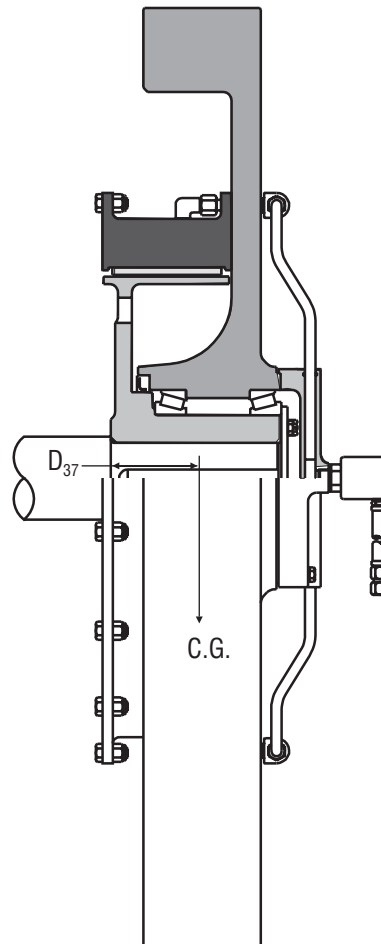
Technical Data

English	lb ft ²	lb	rpm	lb	in	
1127	239	235	850	525	5.3	104802
1131	424	309	740	650	4.3	104803
1136	942	522	640	915	4.3	104804
1431	424	309	740	765	5.6	104805
1436	942	522	640	1030	5.7	104806
1440	1604	705	570	1320	5.6	104807
1445	2415	825	510	1540	5.8	104808
1636	942	522	640	1080	5.4	104809
1640	1604	705	570	1370	5.5	104810
1645	2415	825	510	1590	5.6	104811
1650	4238	1170	460	2075	5.5	104812
2040	1604	705	570	1425	5.7	104813
2045	2415	825	510	1650	5.9	104814
2050	4238	1170	460	2175	5.8	104815
2056	6630	1456	410	2620	5.9	104816
2445	2415	825	480	1715	5.6	104817
2450	4238	1170	460	2415	5.4	104818
2456	6630	1456	410	2750	5.7	104819
2850	4238	1170	410	2685	6.6	104820
2856	6630	1456	410	3260	6.8	104821
2862	11331	2028	370	4080	6.6	104822
2868	20695	3300	340	4690	6.5	104823
3356	6630	1456	350	3465	6.5	104824
3362	11331	2028	350	4360	6.4	104825
3368	20695	3300	340	5640	6.3	104826
3762	11331	2028	310	4455	6.3	104827
3768	20695	3300	310	5735	6.2	104828
FSPA Size	Wk ²	Weight	① Maximum Speed	Weight	D ₃₇	② Part Number
	Flywheel Rim			Mass		
	J	Mass		Mass		
1127	10,04	106	850	238	135	104802
1131	17,81	140	740	294	109	104803
1136	39,56	236	640	414	109	104804
1431	17,81	140	740	347	142	104805
1436	39,56	236	640	467	145	104806
1440	67,37	319	570	598	142	104807
1445	101,4	374	510	698	147	104808
1636	39,56	236	640	489	137	104809
1640	67,37	319	570	621	140	104810
1645	101,4	374	510	720	142	104811
1650	178,0	530	460	940	140	104812
2040	67,37	319	570	646	145	104813
2045	101,4	374	510	747	150	104814
2050	178,0	530	460	985	147	104815
2056	278,5	660	410	1187	150	104816
2445	101,4	374	480	777	142	104817
2450	178,0	530	460	1094	137	104818
2456	278,5	660	410	1246	145	104819
2850	178,0	530	410	1216	168	104820
2856	278,5	660	410	1477	173	104821
2862	475,9	919	370	1848	168	104822
2868	869,2	1495	340	2125	165	104823
3356	278,5	660	350	1570	165	104824
3362	475,9	919	350	1975	163	104825
3368	869,2	1495	340	2555	160	104826
3762	475,9	919	310	2018	160	104827
3768	869,2	1495	310	2598	157	104828
SI	kg m ²	kg	rpm	kg	mm	

English	lb in	lb ft ²	in ²	in ³	
1127 thru 1136	27000	8	166	70	11.5VC500
1431 thru 1445	39000	14	205	95	14VC500
1636 thru 1650	65000	28	283	120	16VC600
2040 thru 2056	93000	61	380	140	20VC600
2445 thru 2456	135000	105	466	200	24VC650
2850 thru 2868	182000	180	548	270	28VC650
3356 thru 3368	255000	370	643	360	33VC650
3762 thru 3768	320000	670	720	400	37VC650
FSPA Size	③ Clutch Torque	Wk ²	Friction Area	④ Air Volume	Clutch Size
		Drum			
		J			
1127 thru 1136	3050	0,34	1071	1,15	11.5VC500
1431 thru 1445	4410	0,59	1322	1,56	14VC500
1636 thru 1650	7350	1,18	1825	1,97	16VC600
2040 thru 2056	10500	2,56	2451	2,30	20VC600
2445 thru 2456	15300	4,41	3006	3,28	24VC650
2850 thru 2868	20600	7,56	3535	4,43	28VC650
3356 thru 3368	28800	15,54	4147	5,90	33VC650
3762 thru 3768	36200	28,14	4644	6,56	37VC650
SI	Nm	kg m ²	cm ²	dm ³	

Notes:

- ① Maximum speed for non-cyclic operation. Maximum speed for single stroke operation is dependent upon clutch and brake thermal requirements.
- ② Basic part number only. Complete part number is dependent upon bore and optional features.
- ③ Clutch torque dependent upon operating pressure and speed. See Section B for torque adjustment.
- ④ Absolute volume required per engagement. Brake releasing volume must be added.

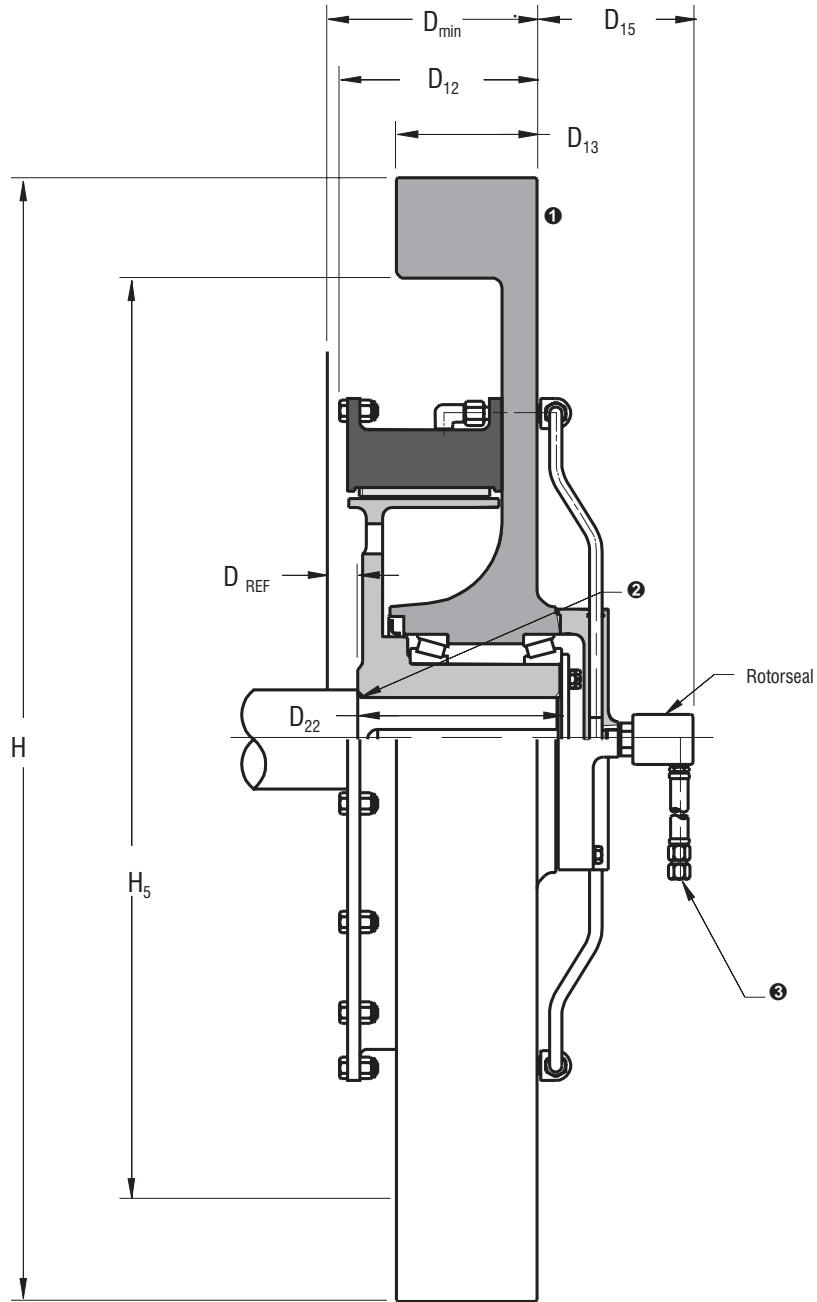


Form PP 305

Dimensional Data

English	Dimensions in inches										
1127	2.500	2.00	3.00	7.75	1.00	7.38	4.00	5.41	6.63	27.00	21.00
1131	2.500	2.00	3.00	7.88	1.13	7.50	4.50	5.41	6.63	31.00	25.00
1136	2.500	2.00	3.00	8.00	1.25	7.63	5.00	5.41	6.63	36.00	28.00
1431	3.000	1.75	3.00	8.88	0.38	7.56	4.50	6.47	8.38	31.00	25.00
1436	3.000	1.75	3.00	8.88	0.38	7.68	5.00	6.47	8.38	36.00	28.00
1440	3.000	1.75	3.00	8.88	0.38	7.94	6.00	6.47	8.38	40.00	32.00
1445	3.000	1.75	3.00	8.88	0.38	7.94	6.00	6.47	8.38	45.00	36.75
1636	3.500	2.50	3.75	9.31	1.06	8.94	5.00	6.47	8.38	36.00	28.00
1640	3.500	2.50	3.75	9.56	1.31	9.19	6.00	6.47	8.38	40.00	32.00
1645	3.500	2.50	2.50	9.56	1.31	9.19	6.00	6.47	8.38	45.00	36.75
1650	3.500	2.50	2.50	9.69	1.44	9.31	7.00	6.47	8.38	50.00	41.00
2040	4.000	3.00	4.00	9.56	0.69	9.19	6.00	6.44	8.75	40.00	32.00
2045	4.000	3.00	4.00	9.56	0.69	9.19	6.00	6.44	8.75	45.00	36.75
2050	4.000	3.00	4.00	9.81	0.94	9.44	7.00	6.44	8.75	50.00	41.00
2056	4.000	3.00	4.00	9.81	0.94	9.44	7.00	6.44	8.75	56.00	46.00
2445	4.500	3.75	4.75	9.94	1.00	9.56	6.00	7.78	10.00	45.00	36.75
2450	4.500	3.75	4.75	10.19	1.25	9.81	7.00	7.78	10.00	50.00	41.00
2456	4.500	3.75	4.75	10.19	1.25	9.81	7.00	7.78	10.00	56.00	46.00
2850	5.000	4.75	5.50	10.38	0.38	9.81	7.00	12.50	11.88	50.00	41.00
2856	5.000	4.75	5.50	10.38	0.38	10.06	7.00	12.50	11.88	56.00	46.00
2862	5.000	4.75	5.50	10.38	0.38	10.06	8.00	12.50	11.88	62.00	51.00
2868	5.000	4.75	5.50	10.38	0.38	10.06	8.00	12.50	11.88	68.00	51.00
3356	5.500	4.75	6.00	10.53	0.59	10.16	7.00	12.50	11.81	56.00	46.00
3362	5.500	4.75	6.00	10.53	0.59	10.16	8.00	12.50	11.81	62.00	51.00
3368	5.500	4.75	6.00	10.53	0.59	10.16	8.00	12.50	11.81	68.00	51.00
3762	6.000	5.50	6.50	10.53	0.53	10.16	8.00	12.50	11.88	62.00	51.00
3768	6.000	5.50	6.50	10.53	0.53	10.16	8.00	12.50	11.88	68.00	51.00
FSPA Size	Standard	Min.	Max.	D _{min.}	D _{ref.}	D ₁₂	D ₁₃	D ₁₅	D ₂₂	H	H ₅
	Bore Range										
	Standard	Min.	Max.								
1127	63,5	51	76	197	25	187	102	137	168	686	533
1131	63,5	51	76	200	29	191	114	137	168	787	635
1136	63,5	51	76	203	32	194	127	137	168	914	711
1431	76,2	44	76	225	10	192	114	164	213	787	635
1436	76,2	44	76	225	10	195	127	164	213	914	711
1440	76,2	44	76	225	10	202	152	164	213	1016	813
1445	76,2	44	76	225	10	202	152	164	213	1143	933
1636	88,9	64	95	237	27	227	127	164	213	914	711
1640	88,9	64	95	243	33	233	152	164	213	1016	813
1645	88,9	64	64	243	33	233	152	164	213	1143	933
1650	88,9	64	64	246	37	237	178	164	213	1270	1041
2040	101,6	76	102	243	18	233	152	164	222	1016	813
2045	101,6	76	102	243	18	233	152	164	222	1143	933
2050	101,6	76	102	249	24	240	178	164	222	1270	1041
2056	101,6	76	102	249	24	240	178	164	222	1422	1168
2445	114,3	95	121	252	25	243	152	198	254	1143	933
2450	114,3	95	121	259	32	249	178	198	254	1270	1041
2456	114,3	95	121	259	32	249	178	198	254	1422	1168
2850	127,0	121	140	264	10	249	178	318	302	1270	1041
2856	127,0	121	140	264	10	256	178	318	302	1422	1168
2862	127,0	121	140	264	10	256	203	318	302	1575	1295
2868	127,0	121	140	264	10	256	203	318	302	1727	1295
3356	139,7	121	152	267	15	258	178	318	300	1422	1168
3362	139,7	121	152	267	15	258	203	318	300	1575	1295
3368	139,7	121	152	267	15	258	203	318	300	1727	1295
3762	152,4	140	165	267	13	258	203	318	302	1575	1295
3768	152,4	140	165	267	13	258	203	318	302	1727	1295
SI	Dimensions in millimeters										

See Section G for various types of spring-applied brakes which can be used with this fly-wheel/clutch package.



Notes:

- ① Optional belt grooving or gear teeth can be machined in the flywheel rim at additional cost.
- ② Shaft radius 0.25 in (6 mm) for all sizes.
- ③ American National Pipe Thread
 1/4-18 for sizes 1127 thru 1136
 1/2-14 for sizes 1431 thru 2456
 1-11 1/2 for all other sizes